



LED MR16

8MR16/LED/840/F35/DIM 12V 10/1FB

Philips LED MR-16 lamps with single optic technology provide the look and color quality of traditional halogens while using a fraction of the energy. A perfect fit for spot lighting, they are compatible with most existing fixtures with MR16 GU5.3 holders and are designed as a retrofit replacement for halogen or incandescent spots.

Product data

General Information	
Cap-Base	GU5.3 [GU5.3]
Nominal lifetime	25,000 hour(s)
Switching Cycle	50,000
Lighting Technology	LED
EU RoHS compliant	Yes
Light Technical	
Color Code	840 [CCT of 4000K]
Beam Angle (Nom)	35 degree(s)
Luminous Flux	660 lm
Luminous Intensity (Nom)	1,800 cd
Color Designation	Cool White (CW)
Correlated Color Temperature (Nom)	4000 K
Luminous Efficacy (rated) (Nom)	82.00 lm/W
Color Consistency	<4
Color rendering index (CRI)	80
LLMF At End Of Nominal Lifetime (Nom)	70 %
Operating and Electrical	
Line Frequency	- Hz
Input Frequency	- Hz

Power Consumption	8 W
Lamp Current (Nom)	720 mA
Wattage Equivalent	75 W
Starting Time (Nom)	0.5 s
Warm-up time to 60% light	0.5 s
Power Factor (Fraction)	0.7
Voltage (Nom)	ac electronic 12 V
Temperature	
T-Case Maximum (Nom)	199 °F
Controls and Dimming	
Dimmable	Only with specific dimmers
Mechanical and Housing	
Bulb Finish	Clear
Bulb Material	Aluminum
Bulb Shape	MR16 [2inch/50mm]
UL Wet/ damp/ dry location	Damp location
Approval and Application	
Suitable For Accent Lighting	Yes

LED MR16

Energy Certifications	Energy Star
T20 compliant	No

Application Conditions

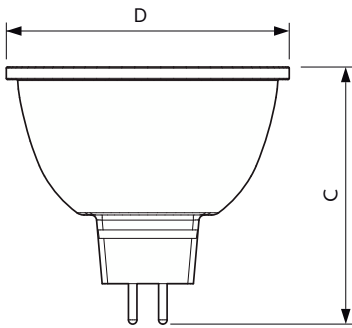
can it be used in closed luminaires	Yes
-------------------------------------	-----

Product Data

Order product name	8MR16/LED/840/F35/DIM 12V 10/1FB
Full product name	8MR16/LED/840/F35/DIM 12V 10/1FB

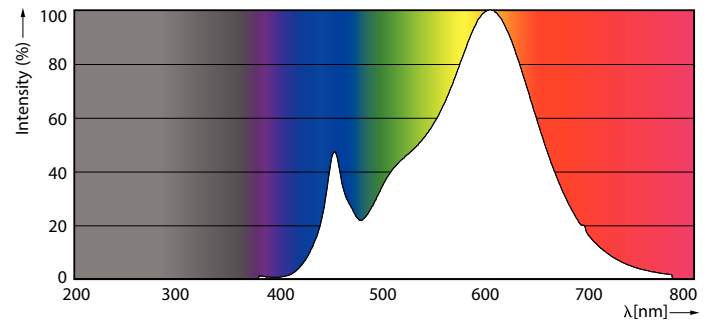
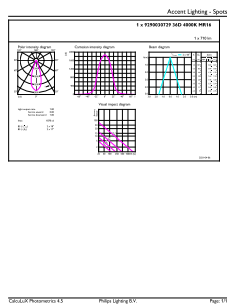
Order code	573955
Material Nr. (12NC)	929003072904
Numerator - Quantity Per Pack	1
EAN/UPC - Product/Case	046677573959
Numerator - Packs per outer box	10
EAN/UPC - Case	50046677573954

Dimensional drawing



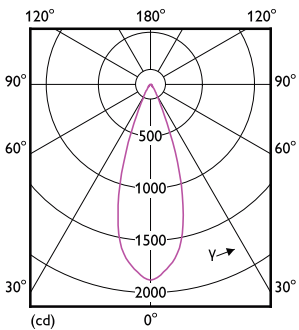
Product	D	C
8MR16/LED/840/F35/DIM 12V 10/1FB	2 inch	1-7/8 inch

Photometric data



Accent Lighting Spots - 8MR16/LED/840/F35/DIM 12V 10/1FB

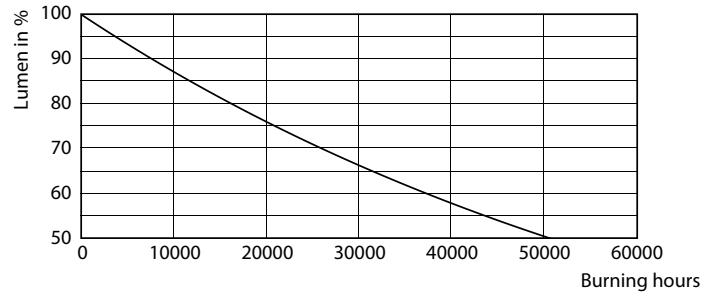
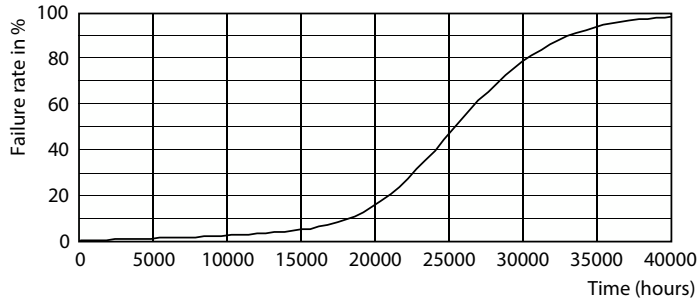
Spectral Power Distribution Colour - 8MR16/LED/840/F35/DIM 12V 10/1FB



Light Distribution Diagram - 8MR16/LED/840/F35/DIM 12V 10/1FB

LED MR16

Lifetime



Life Expectancy Diagram - 8MR16/LED/840/F35/DIM 12V 10/1FB

Lumen Maintenance Diagram - 8MR16/LED/840/F35/DIM 12V 10/1FB

