

Project: _____ Type: _____

Drawn by: _____ Catalogue #: _____ Date: _____

Individual Spec Sheet

LED REFLECTORS

PAR38

5 CCT Selectable

ORDERING INFORMATION

Order code: 69655
Model number: P38/14W/5CCT/40/BK/STD
UPC: 069549028746
Case quantity: 24

PHYSICAL DATA

Shape: PAR38
Base: E26
Heat sink color: Black

PERFORMANCE DATA

Watts (W): 14
Volts (V AC): 120
Color temperature (K):¹ 2 700/3 000/3 500/4 000/5 000
Lumen output (lm):² 1 200
Efficacy (lm/W): 86
CRI: 90
Life L70 (h):³ 25 000
Dimming: Phase-Cut (ELV / Triac)
Beam Angle (°): 40
Power factor: 0.97
Frequency (Hz): 60
CBCP: 2 500
Operating temp. range: -30 °C to 45 °C (-22 °F to 113 °F)

¹ Typical colour temperature range: +/- 5 %.

² Lumen values are derived from Energy Star reported data. Initial lumens range: +/- 10 %.

³ Life hours are derived from IESNA LM80-08 testing report and projected per IESNA TM-21-11 extrapolations.

LUMEN SPECIFICATION TABLE

2 700 K		3 000 K		3 500 K		4 000 K		5 000 K	
Lumen output (lm)	Efficacy (lm/W)	Lumen output (lm)	Efficacy (lm/W)	Lumen output (lm)	Efficacy (lm/W)	Lumen output (lm)	Efficacy (lm/W)	Lumen output (lm)	Efficacy (lm/W)
1 228	88	1 310	84	1 378	98	1 385	99	1 290	92

DEFAULT PROGRAMMING

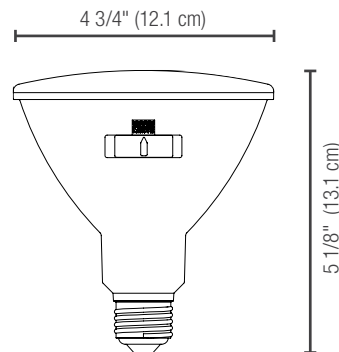
2 700 K

COMPATIBLE DIMMERS¹

Brand	Model
LUTRON	CTCL-153P, DVCL-253P, DVELV-300P, HCL453P, MACL-153P, PD-6WCL, SELV-300P
COOPER	AAL06, DAL06P
LEVITON	6674, DDMX1, DSL06-1LZ, IPL06, DSM10-1LZ, IPE04-1LZ
LEGRAND	RH730PTUTC

¹ This table shows dimmers that have been tested and have demonstrated proper operation under normal conditions. Each installation being unique, various factors such as load, common neutrals or other electrical products on the circuit can, in certain instances, cause variance in system performance. Read and comply to the dimmer installation instructions. Consult dimming system manufacturer for additional support in operation. Some dimmers may require more than one product for stable operation. Stanpro recommends to use dimmers designed to work with LED products. Older dimmers designed for incandescent products may cause erratic operation.

DIMENSIONS



ICES
005



enclosed
fixture

