

Simply Brilliant



Product information

FEATURES

- 4" 9W 810lm
- **Type IC rated** (direct contact with insulation)
- **Fire rated 2H FT4 cable**
- **Energy Star, cETLus listed**
- Dimmable
- Less than 0.1% defective rate
- 1/4" recess design
- 50,000 hour life
- 9W replaces 80W halogen
- Acrylic PMMA light guide
- Air-tight aluminum housing
- Suitable for damp locations
- Quick & easy installation
- No flicker, mercury free, instant on
- 5-year warranty

APPLICATION

- Offices
- Retail
- Museum
- Hospitality
- Commercial
- Lighting showroom

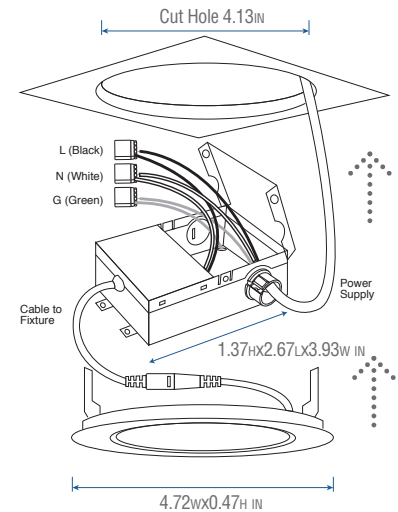
INSTALLATION




- Recessed
- Insulated/drop ceilings
- Fits under studs and in narrow plenums

ADDITIONAL INFO

- White Finish
- Operating Temperature -10°C ~+40°C

DIAGRAM



ORDER CODE	ENERGY STAR LISTING CODE	DESCRIPTION	WATTS	VOLT	LUMENS	CCT(K)	LIFE HRS	BEAM ANGLE	CRI	IP	PF	MOL (MM)	MOUNT SIZE	CASE QTY.
L3504-6111	 ILXSP-9X-ETL(3000K/H)	ILLX SLMP 4"R 9W 3K 810L WH FT4	9	120 V	810	3000	50,000	110°	80+	44	0.98	4.13	4.13	40
L3504-6131	 ILXSP-9X-ETL(4000K/H)	ILLX SLMP 4"R 9W 4K 810L WH FT4	9	120 V	810	4000	50,000	110°	80+	44	0.98	4.13	4.13	40
L3504-6151	 ILXSP-9X-ETL(5000K/H)	ILLX SLMP 4"R 9W 5K 810L WH FT4	9	120 V	810	5000	50,000	110°	80+	44	0.98	4.13	4.13	40